
Top One Tech Limited

23" LED Open Frame PCAP Multi-Touch Monitor

(PCAP and Zero-bezel Type)

Model: TOT230UCA001

Part number: TOT230K1C302-H



Top One Tech's 23" open frame LED touch monitors have a long-lasting product cycle because the enclosure is controlled by Top One Tech's specifications. Future panel improvements are therefore possible without external changes. The TOT230UCA001 integrate with the Top One Tech's PCAP technology touchscreen.

Features

- Fully Supports Aristocrat Helix Upright And Helix Slant
- 1920x1080 Resoultion 16.7M Colors LCD Panel With LED Backlight
- DVI + VGA Input Video Source
- DC-12V Input Voltage
- P-CAP 10 Points Touchscreen With USB Interface
- Touch and LED Module Supports Upgrade Firmware Via USB Interface
- Certification CE,FCC,ROHS etc.
- LED Strip with 66pcs 5050RGB-LED support 16.7M Colors Display

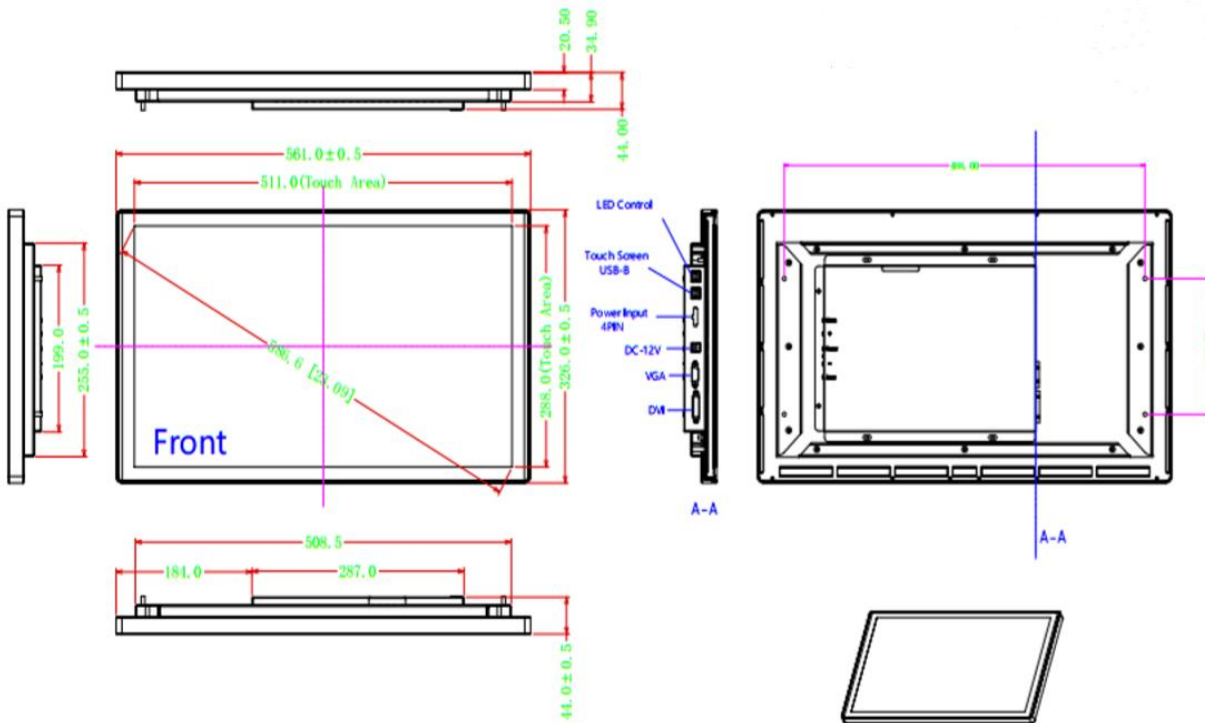
Specification

Complete Machine		
Model No.	TOT230UCA001	
Series	OT	
Display Type	16:9 Ratio 23" TFT-LCD	
Active Area	509.184*286.416(mm)	
Monitor Dimensions (W*H*D)	561*326*44.1(mm)	
Suggested Resolution	1920*1080 @ 60Hz	
Support Colors	16.7M	
Brightness (Typ.)	Pure LCD Panel	250cd/m2(Typ.)/200cd/m2(Min.)
	With Touch Monitor	212cd/m2(Typ.)/170cd/m2(Min.)
Response Time (Typ.)	14ms	
Viewing Angle(Typ.at CR>10))	Horizontal(left/right)	89°/89°(Typ.)/85°/85°(Min.)
	Vertical(up/down)	89°/89°(Typ.)/85°/85°(Min.)
Contrast Ratio (Typ.)	1000:1(Typ.)/700:1(Min.)	
Video Input	VGA/DVI/DP	
Frequency (H/V)	37.9~80KHz / 60~75Hz	

Power Supply	Type: External brick	
	Display voltage: DC 12V±5%	
Environment	Input (line) voltage: 100-240 VAC, 50-60 Hz	
	Operating Temp.	0~50°C
	Operating RH	20%~80%
	Storage Temp.	-20~60°C
	Storage RH	10%~90%
MTBF	≥30,000 Hours	
LED Back Light Life (Typ.)	≥30,000 Hours	
Package dimensions	685*230*480mm(2pcs in one package)	
Power Consumption	≤35W	
Mount Interface	488*162 (Screw type: M5-12)	
OSD Control	Buttons	AUTO, +,POWER,-,MENU
	Function	Brightness, Contrast Ratio, Auto-adjust, Phase, Clock, H/V Location, Languages, Function, Reset
Agency approvals	CCC, ETL, FCC, CE, CB, RoHS	
Regular Warranty	1 year	
Touch Screen		
Touch Type	23" Capacitive touch screens	
Touch input	USB	
Response Time	≤10ms	
Hardness	6H	
Light Transmittance	≥85%	
Support System	XP,WIN7,WIN8,WIN10,Linux,Android	
Active Area	512*289(mm)	
Thickness	2.9±0.35(mm)	
Touch Test	≥50,000,000 times	
Input Voltage	DC 5V±5%	

NOTE: The display SPEC. will change follow the relevant LCD panel brand and model

Mechanical Dimensions



Typical Application

- Information Kiosk
- Banking ATM
- Casino Gaming machine
- Industrial Control
- Transportation
- Education and Training

How to contact us

TOP ONE TECH LIMITED

Mobile Phone : (+86)13631610695

Tel: 0086-0755-21070641

Whatsapp/Wechat :+8613631610695

Email : sales@toponetech.cn

Skype : elsieyu-sz@hotmail.com

Office in China : Room 2106, Building A, Zhiyun ONE Industrial Park, No. 13 Huaxing Road, Dalang Street, Longhua District, Shenzhen,China

Facilities in China : No. 2,Guihua Jiayi Industrial district,Guanlan, Longhua,Shenzhen, China 518109