
TOP ONE TECH LIMITED
43" LCD Open frame Touch Monitor
(The Dust-proof,PCAP ,LED backlight)

Model: TOT430UCA001

Part number:TOT430K1C201



Top One Tech's 43" open frame LCD touch monitors have a long-lasting product cycle because the enclosure is controlled by Top One Tech's specifications. Future panel improvements are therefore possible without external changes. The TOT430UCA001 integrate with the Top One Tech's PCAP technology touchscreen.

Features

- Patented IP65 Front with silicon seal
- Long lasting product cycle-enclosure controlled by Top One Tech specifications
- Future generation panels phased-in without external changes
- High quality panel with high brightness , high contrast ratio and broad viewing angle
- Anti-glare treatment (chemical etching)
- Strengthened cover glass
- 10-finger-multi touch capacitive touch
- LED backlight backed Panels in A+ quality
- Screwable connection for rugged environments

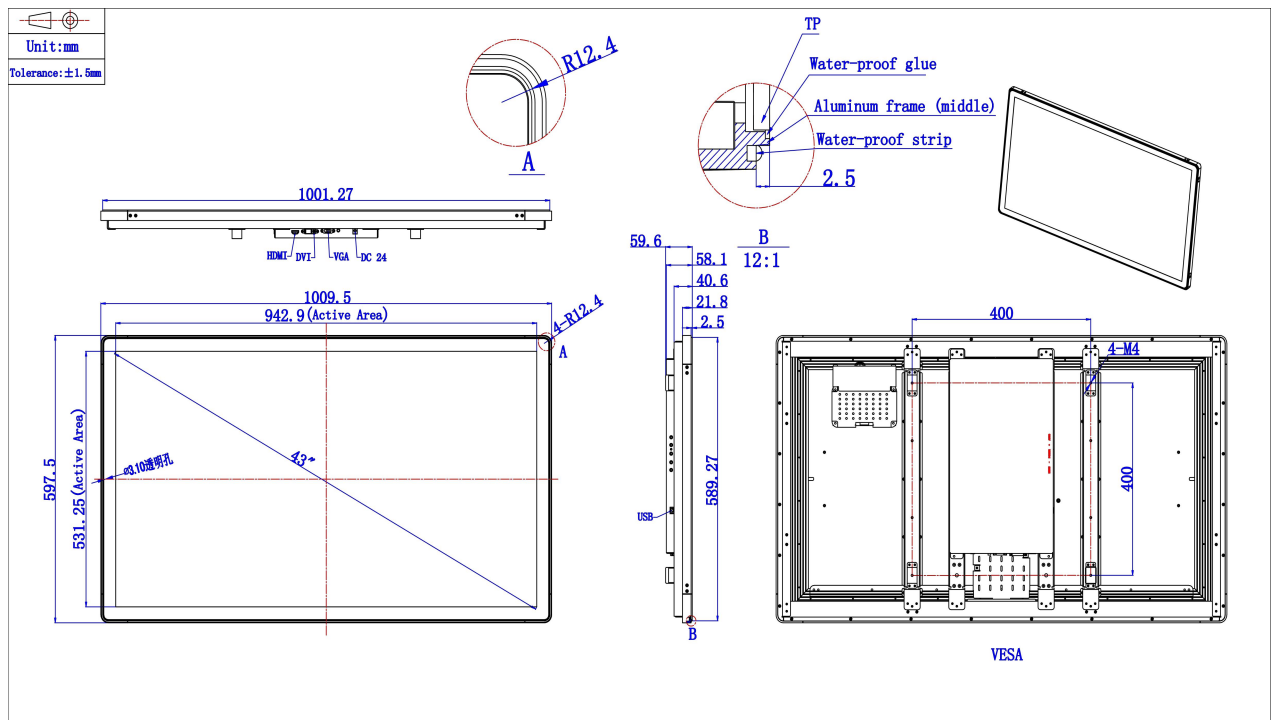
Specification

Model No.	TOT430UCA001	
Series	OT	
LCD Type	16: 9 Ratio TFT-LCD	
Display Size	43 " (diagonal)	
Active Area	942.9*531.25 (mm)	
Suggested Resolution	1920×1080	
Support Colors	16.7M	
Brightness(Typ.)	Pure LCD panel	1000cd/m2, 1500cd/m2, 2000cd/m2
	With touch monitor	830cd/m2, 1250cd/m2, 1650cd/m2
Response Time(Typ.)	6.5ms	
Viewing Angle (Typ.at CR>10)	Horizontal(left/right)	89°/89°
	Vertical(up/down)	89°/89°
Contrast Ratio(Typ.)	3000:1	
Video Input	VGA\DVI\HDMI	
Frequency (H/V)	30~80KHz / 60~75Hz	
Power Supply	Type: External brick Input (line) voltage: 100-240 VAC, 50-60 Hz Output voltage/current: 12 volts at 5 amps max	

Environment	Operating Temp.	-15 ~ 50°C
	Storage Temp.	-20 ~ 60°C
	Operating RH:	20% ~ 80%
	Storage RH:	10% ~ 90%
MTBF	30,000 Hours	
LCD Back light Life(Typ.)	30,000 Hours	
Backlight Unit	LED	
Power Consumption	≤90W/130W/180W	
Mount Interface	1.VESA 400*400 mm 2.Mount bracket, horizontal or vertical mount	
OSD Control	Buttons	AUTO,RIGHT,LEFT,MENU,POWER
	Function	Brightness, Contrast Ratio, Auto-adjust, Phase, Clock, H/V Location, Languages, Function, Reset
Touch screen Type	43"projected capacitive touchscreen	
Touch System Interface	USB	
Certificates	CCC.FCC.CE.ETL,RoHS	

NOTE:The display SPEC. will change follow the relevant LCD panel brand and model

Mechanical Dimensions



Accessories

Power Cable: A North American power cable or an European power cable is included according to the end user's area.

Power Supply Brick: A power supply brick is included.

Touch/Video/DVI Cables: Detachable serial or USB touch cable, video cable or DVI or HDMI cable are included

L-brackets: Four standard L-brackets are included (optional by different size).

Typical Application

- Gaming/Casino Systems
- Outdoor and indoor Kiosks
- Entertainment
- Transport and Ticketing
- Hospitality
- Banking
- Customized Solutions

How to contact us

TOP ONE TECH LIMITED

Mobile Phone : (+86)13631610695

Tel: 0086-0755-21070641

Whatsapp/Wechat :+8613631610695

Email : sales@toponetech.cn

Skype : elsieyu-sz@hotmail.com

Office in China : Room1517, Taiyangneng Guigu Building Zhongxing Xiaoqu, Yunfeng Road No.3
Gaofeng shequ, Longhua District, Shenzhen, China

Facilities in China : No. 2, Guihua Jiayi Industrial district, Guanlan, Longhua, Shenzhen, China 518110