

TOP ONE TECH LIMITED

32" Curved Touch Monitor

(The IP65 Water-proof Type)

Model:TOT320UCA006

Part number: TOT320L1C401



Top One Tech's 32" curved touch monitors have a long-lasting product cycle because the enclosure is controlled by Top One Tech's specifications. Future panel improvements are therefore possible without external changes. The TOT320L1C401 integrate with the Top One Tech's PCAP technology touchscreen.

Features

- Bezel seal standard: NEMA3 and IEC IP65
- Long lasting product cycle-enclosure controlled by Top One Tech specifications
- Future generation panels phased-in without external changes
- High quality panel with high brightness,high contrast ratio and broad viewing angle
- Multiple mounting options including VESA mount, horizontal or vertical bracket-mount
- Compact and slim profile for easy integration from side,top and bottom
- Top One Tech's PCT technology on pure glass for the ultimate in image quality
- Finger or gloved hand operation
- USB/Serial touch interface port
- VGA/DVI /HDMI input video format
- Worldwide agency approvals

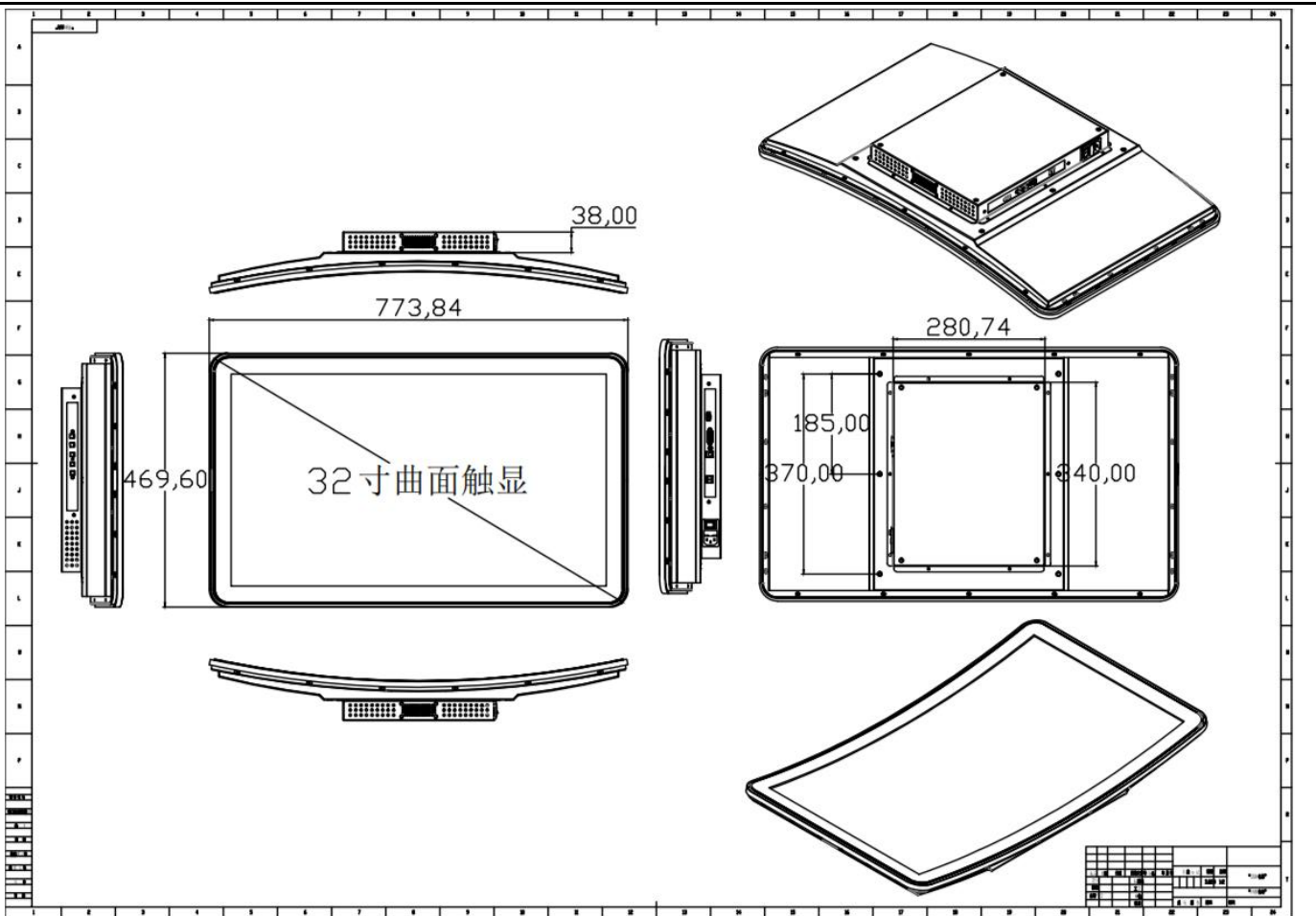
Specification

Model	TOT320UCA006	
Type	curved touch monitor	
LCD Type	32 " Active matrix TFT -LED	
Curvature	R1800	
Active Area	685.4*392.85(mm)	
Display Resolution	1920*1080 (FHD)	
Supported Colors	16.7M Colors	
Brightness (typical)	350cd/m ²	
Response Time (typical)	8 (Typ.)(G to G) ms	
Perspective (Typ.at CR > 10))	Horizontal (Left / Right)	89°/89°
	Vertical (Up / Down)	89°/89°
Contrast Ratio (typical)	3500:1	
Connector	HDMI/DP	
Audio	3.5mm audio input interface	
Touch interface	USB (can be customized rs232)	
Touch screen type	32 " 10 points capacitive screen	

Screen thickness	4 mm	
Frequency (H/V)	30~80KHz / 60Hz	
Power Supply	Type: external power adapter Input voltage: 100-240 VAC, 50-60 Hz Output voltage / current: 12 volts at 1.5 amps max	
Environmental	Operating temperature	0~50°C
	Storage temperature	-20~70°C
	Working humidity	5%~90%RH
	Storage humidity	5%~90%RH
MTBF	Reference GB/T5080.7, reliability: MTBF50000 hours, 90%.	
LED Backlight Life (typical)	50,000 hours	
Power Consumption	33W Max	
Mounting	Mounting Bracket, horizontal or vertical	
OSD Control	Button	POWER,AUTO,+ , -,MENU
	Functions	Brightness, contrast, auto-correction, phase, clock, horizontal and vertical position, language, function setting, reset
Package dimensions	900mm*200mm*595mm	
Weight	14.5kg	
ESD	The IEC61000-4-2/2008; air discharge 8kV; contact discharge 4kV; allows for transient dysfunction that can be automatically restored without requiring manual reset.	
EMC adaptability	EN55011,EN61000, Compliance CCC, Compliance CE,FCC,CB Requirements Reference GB9254-2008,A class.	
Wire stock	1.8 m power * 1 / 1.8 m HDMI * 1 / 1.8 m USB * 1	
Packing materials	Cellular carton / premium calf card carton	
Warranty	1 year	

NOTE:The display SPEC. will change follow the relevant LCD panel brand and model

Mechanical Dimensions



Accessories

Power Cable: A North American power cable or an European power cable is included according to the end user's area.

Power Supply Brick: A power supply brick is included.

Touch/Video: Detachable serial or USB touch cable, HDMI or DP cable are included

Color: Black /White

Typical Application

- Gaming/Casino Systems
- Outdoor and indoor Kiosks
- Entertainment
- Transport and Ticketing
- Hospitality
- Banking

Customized Solutions

How to contact us

TOP ONE TECH LIMITED

Mobile Phone : (+86) 13631610695

Tel: 0086-0755-21070641

Whatsapp/Wechat : +8613631610695

Email : sales@toponetech.cn

Skype : elsieyu-sz@hotmail.com

Office in China : Room 1517, Taiyangneng Guigu Building Zhongxing Xiaoqu, Yunfeng Road No.3
Gaofeng shequ, Longhua District, Shenzhen, China

Facilities in China : No. 2, Guihua Jiayi Industrial district, Guanlan, Longhua, Shenzhen, China 518110