

# TOP ONE TECH LIMITED

## 18.5" LCD Open Frame PCAP Touch Monitor

(with External Acrylic Led Bar)

Model: TOT185UCA006

Part number: TOT185L1C301



Top One Tech's 18.5" open frame LCD touch monitors have a long-lasting product cycle because the enclosure is controlled by Top One Tech's specifications. Future panel improvements are therefore possible without external changes. The TOT185UCA006 integrate with the Top One Tech's PCAP technology touchscreen.

## Features

- Bezel seal standard: NEMA3 and IEC IP65
- Long lasting product cycle-enclosure controlled by Top One Tech specifications
- Future generation panels phased-in without external changes
- High quality panel with high brightness,high contrast ratio and broad viewing angle
- Multiple mounting options including VESA mount, horizontal or vertical bracket-mount
- Compact and slim profile for easy integration from side,top and bottom
- Top One Tech's PCAP technology on pure glass for the ultimate in image quality
- Finger or gloved hand operation
- Dual USB/Serial touch interface port
- Dual VGA/DVI/HDMI input video format
- Worldwide agency approvals

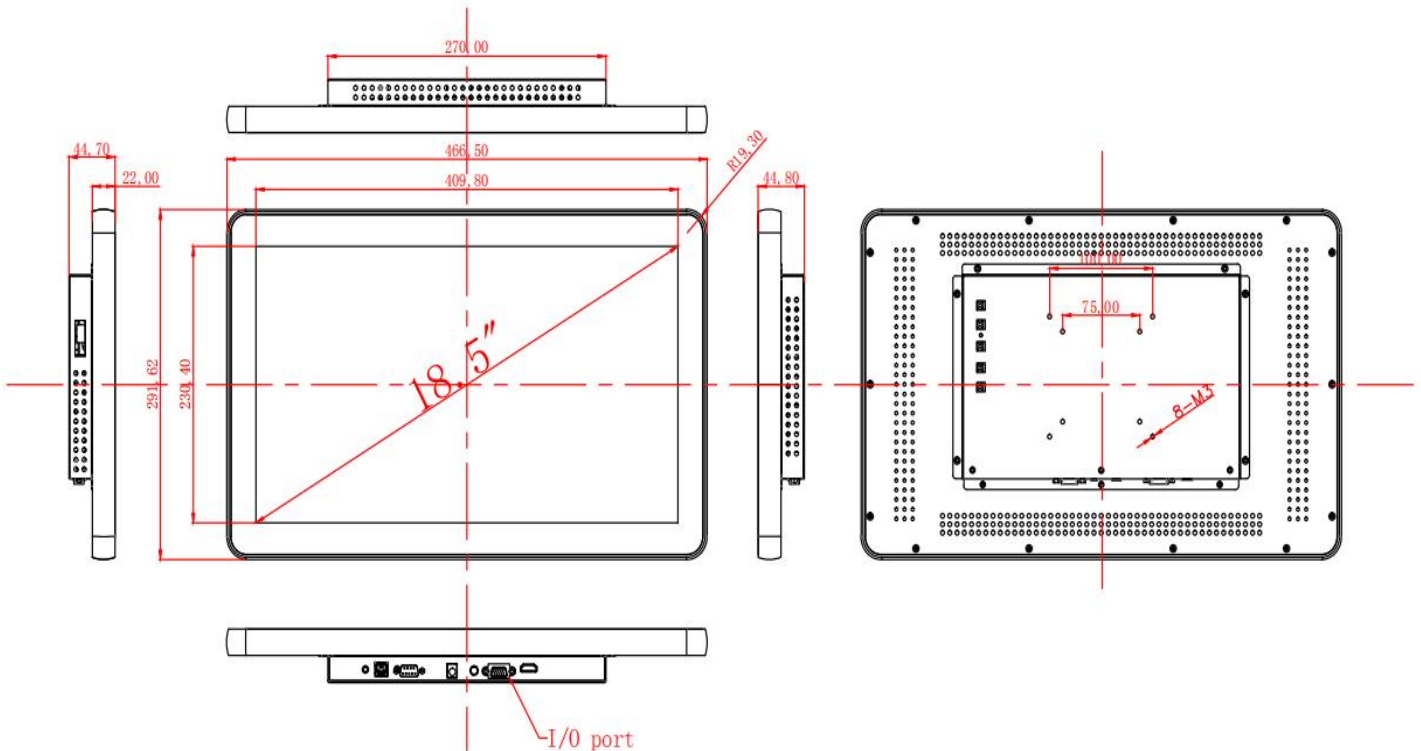
## Specification

<b>Model No.</b>	TOT185UCA006	
<b>Series</b>	18.5"	
<b>Display Type</b>	18.5 " Active matrix TFT -LCD, LED backlight	
<b>Active Area</b>	409.8(mm)×230.4(mm)	
<b>Suggested Resolution</b>	1366×768 @ 60Hz	
<b>Support Colors</b>	16.7M	
<b>Brightness(Typ.)</b>	Pure LCD Panel	250cd/m <sup>2</sup>
	With CA glass sensor panel	210cd/m <sup>2</sup>
<b>Response Time(Typ.)</b>	5ms	
<b>Viewing Angle (Typ.at CR&gt;10)</b>	Horizontal(left/right)	85°/85°
	Vertical(up/down)	80°/80°
<b>Contrast Ratio(Typ.)</b>	1000:1	
<b>Video Input</b>	VGA、DVI、HDMI	
<b>Frequency (H/V)</b>	37.8~68.4KHz / 50~76Hz	
<b>Power Supply</b>	Type: External brick Input (line) voltage: 100-240 VAC, 50-60 Hz	
<b>Environment</b>	Operating Temp.	0~50°C
	Storage Temp.	-20~60°C
	Operating RH:	5%~90%
	Storage RH:	5%~90%
<b>MTBF</b>	30,000 Hours	
<b>Back light Life(Typ.)</b>	30,000 Hours	

<b>Weight (N.W/G.W)</b>	3.64Kg(1pcs) / 8.93Kg (2pcs in one package)(Approx.)	
<b>Out package Dimensions</b>	525 (L) *190 (W) *380 (H) mm (2pcs in one package)	
<b>Power Consumption</b>	13W/0.6W(stand by)	
<b>Mount Interface</b>	1)VESA 75mm and 100mm 2)Mount bracket, horizontal or vertical	
<b>OSD Control</b>	Buttons	AUTO,+ ,POWER,- ,MENU
	Function	Brightness, Contrast Ratio, Auto-adjust, Phase, Clock, H/V Location, Languages, Function, Reset
<b>Touch screen Type</b>	18.5"Projected Capacitive 4mm touch sensor (10 points touch for win7)	
<b>Touch System Interface</b>	USB	
<b>Touch response time</b>	USB:8ms	
<b>Agency Approval</b>	CCC,ETL,FCC,CE,ROHS,CB	

NOTE:The display SPEC. will change follow the relevant LCD panel brand and model

## Mechanical Dimensions



## Accessories

**Power Cable:** A North American power cable or an European power cable is included according to the end user's area.

**Power Supply Brick:** A power supply brick is included.

**Touch/Video/DVI Cables:** Detachable serial or USB touch cable , video cable and DVI cable are included

**L-brackets:** Four standard L-brackets are included(Optional by different size).

## Typical Application

Gaming/Casino Systems  
Outdoor and indoor Kiosks  
Entertainment  
Transport and Ticketing  
Hospitality  
Banking  
Customised Solutions

## How to contact us

TOP ONE TECH LIMITED

Mobile Phone : (+86) 13631610695

Tel: 0086-0755-21070641

Whatsapp/Wechat : +8613631610695

Email : sales@toponetech.cn

Skype : elsieyu-sz@hotmail.com

Office in China : Room 512 & 517, Taiyangneng Guigu Building Zhongxing Xiaoqu, Yunfeng Road No.3 Gaofeng shequ, Longhua District, Shenzhen, China

Facilities in China : No. 2, Guihua Jiayi Industrial district, Guanlan, Longhua, Shenzhen, China 51804