
Top One Tech LIMITED
17" LCD Open frame PCAP Touch Monitor
(the Flat and Zero-bezel Type)

Model number: TOT170UCA001

Part number:TOT170K1C001



Top One Tech's 17" compact open frame LCD touchmonitors have a long-lasting product cycle because the enclosure is controlled by Top One Tech's specifications. Future panel improvements are therefore possible without external changes. The TOT170UCA001 integrate with the Top One Tech's PCAP technology touchscreen.

Features

- Bezel seal standard: Zero-bezel (IP65 waterproof on the front surface)
- Long lasting product cycle-enclosure controlled by Top One Tech specifications
- Future generation panels phased-in without external changes
- High quality panel with high brightness,high contrast ratio and broad viewing angle
- Multiple mounting options including VESA mount, horizontal or vertical bracket-mount
- Compact and slim profile for easy integration from side,top and bottom
- Top One Tech's PCAP technology on pure glass for the ultimate in image quality
- Finger or gloved hand operation
- Dual USB/Serial touch interface port
- Worldwide agency approvals

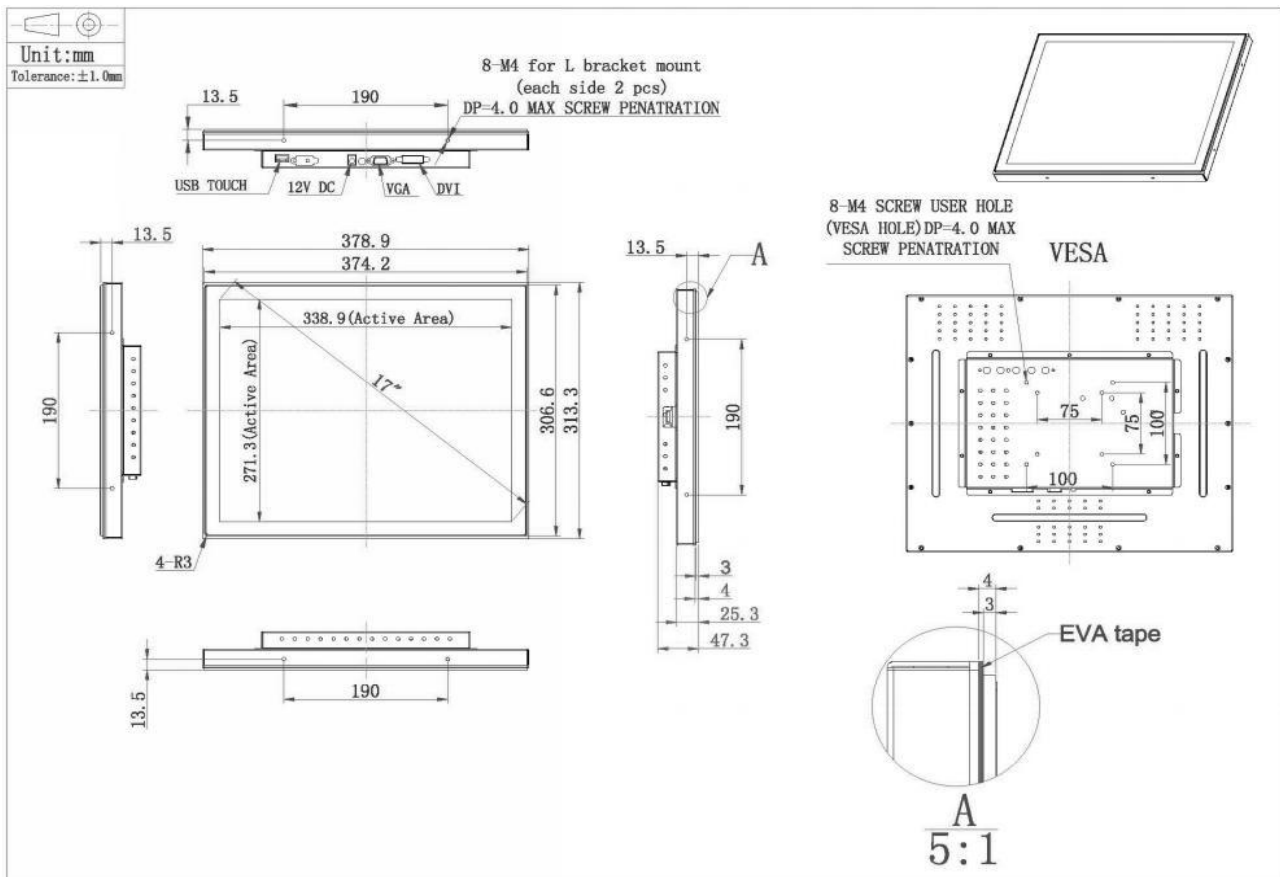
Specification

Model No.	TOT170UCA001	
Series	OT, Flat and Zero-bezel	
Display Type	5:4 Ratio 17 " Active matrix TFT-LCD	
Active Area	337.9*270.3(mm)	
Monitor Dimensions	Width: 378.9mm Height:313.3mm Depth: 47.3mm	
Suggested Resolution	1280×1024 @ 60Hz	
Support Colors	16.7M	
Brightness(Typ.)	Pure LCD Panel	250cd/m ²
	With PCAP Glass Sensor	212cd/m ²
Response Time(Typ.)	5ms	
Viewing Angle (Typ.at CR>10)	Horizontal(left/right)	85°/85°
	Vertical(up/down)	80°/80°
Contrast Ratio(Typ.)	1000:1	
Video Input	Dual Analog RGB and DVI video format	
Frequency (H/V)	30~80KHz / 60~75Hz	
Power Supply	Type: External brick Input (line) voltage: 100-240 VAC, 50-60 Hz Output voltage/current: 12 volts at 4 amps max	
Environment	Operating Temp.	0~50°C
	Storage Temp.	-20~60°C
	Operating RH:	20%~80%
	Storage RH:	10%~90%

MTBF	30,000 Hours	
LCD Back light Life(Typ.)	30,000 Hours	
Weight (N.W/G.W)	G.W:4.1KG (Single)/9.85KG (2pcs in one package)	
Power Consumption	Standby Power: ≤1.5W / Operating Power: ≤20W	
Mount Interface	1)VESA 75mm and 100mm 2)Mount bracket, horizontal or vertical (Standard mount brackets are supplied)	
OSD Control	Buttons	AUTO,+,POWER,-,MENU
	Function	Brightness, Contrast Ratio, Auto-adjust, Phase, Clock, H/V Location, Languages, Function, Reset
Touch screen Type	Top One Tech 17" PCAP 4mm touch sensor, anti-glare is optional	
Touch System Interface	Having USB and Serial(RS232) interface	
Number of touch screen touches	≥50,000,000 times	
Touch screen surface strength	Ik08	
Touch Response time	USB/Serial: 8.4/10.4ms	
Agency Approval	ETL, FCC, CE, RoHS	
Regular Warranty	1 year	

NOTE:The display SPEC. will change follow the relevant LCD panel brand and model

Mechanical Dimensions



Accessories

Power Cable: A North American power cable or an European power cable is included according to the end user's area.

Power Supply Brick: A power supply brick is included.

Touch/Video/DVI Cables: Detachable serial or USB touch cable , video cable or DVI cable are included

L-brackets: Four standard L-brackets are included(Optional by different model).

Typical Application

Gaming/Casino Systems
Outdoor and indoor Kiosks
Entertainment
Transport and Ticketing
Hospitality
Banking
Customized Solutions

How to contact us

Top One Tech LIMITED

Mobile Phone : (+86)13631610695

Tel: 0086-0755-21070641

Whatsapp/Wechat :+8613631610695

Email : sales@toponetech.cn

Skype : elsieyu-sz@hotmail.com

Office in China : Room 1517, Taiyangneng Guigu Building Zhongxing Xiaoqu, Yunfeng Road No.3
Gaofeng shequ, Longhua District, Shenzhen, China

Facilities in China : No. 2, Guihua Jiayi Industrial district, Guanlan, Longhua, Shenzhen, China 518110