



**TopOneTech<sup>®</sup>**



**BUREAU  
VERITAS**

---

# **TOP ONE TECH LIMITED**

**17" LCD Open frame PCAP Touch Monitor**

**(PCAP Touch Screen,1000 nits,IP65 Water-proof Type)**

**Model:TOT170UCA001**

**Part number:TOT170K1C201**



Top One Tech's 17" compact open frame LCD touch monitors have a long-lasting product cycle because the enclosure is controlled by Top One Tech's specifications. Future panel improvements are therefore possible without external changes. The TOT170UCA001 integrate with the Top One Tech's PCAP technology touchscreen.

## Features

- Waterproof capacitive sensor allows wet finger operation, provides high quality touch experience even in harsh environment.
- High Brightness, visible under direct sunlight. Anti-glare tempered cover glass.
- IP65
- vandal proof/anti-glare optional
- Pure glass touchscreen delivers superior image quality
- Various mounting options (Side Mount VESA Mount 75 mm & 100mm)
- Continues to work even with scratches
- Easy integration and low maintenance
- Excellent performance, accuracy and reliability with drift-free operation

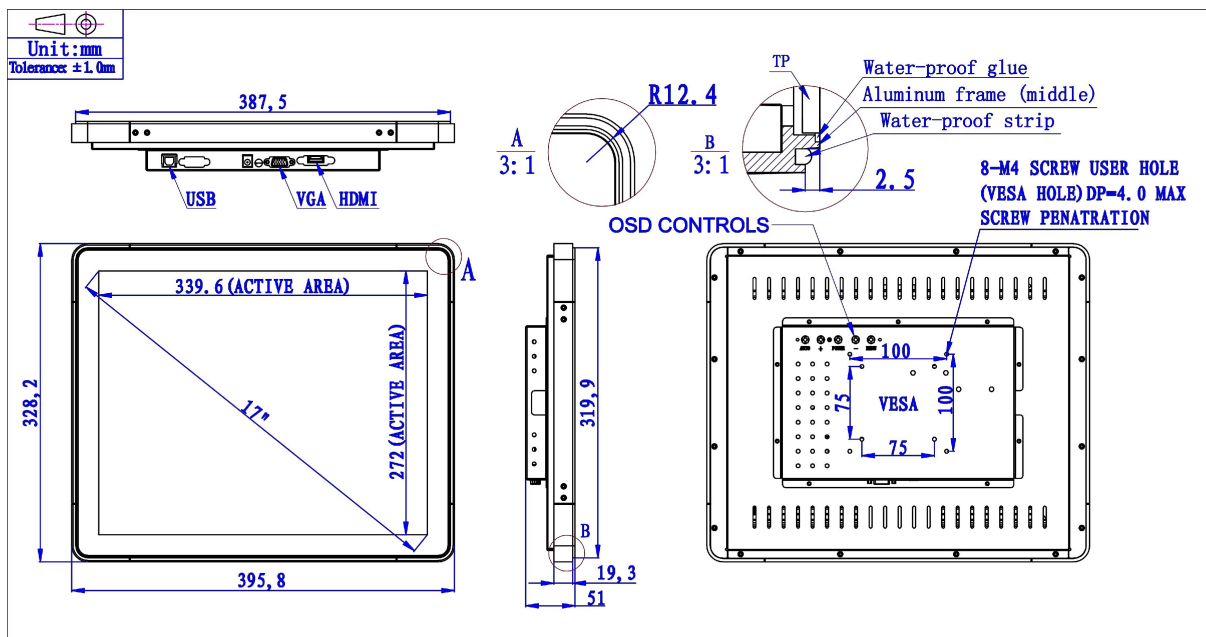
## Specification

<b>Model No.</b>	<b>TOT170UCA001</b>	
<b>Series</b>	OT, Water-proof and Compact	
<b>LCD Type</b>	5 : 4 Ratio 17" TFT-LCD	
<b>Active Area</b>	339*272 (mm)	
<b>Suggested Resolution</b>	1280*1024 @ 60Hz	
<b>Support Colors</b>	16.7M	
<b>Brightness(Typ.)</b>	Pure LCD Panel	<b>1000cd/m<sup>2</sup></b>
	With PCAP Glass Sensor	830cd/m <sup>2</sup>
<b>Response Time(Typ.)</b>	9ms	
<b>Viewing Angle (Typ.at CR&gt;10)</b>	Horizontal(left/right)	85°/85°
	Vertical(up/down)	80°/80°
<b>Contrast Ratio(Typ.)</b>	1000:1	
<b>Video Input</b>	VGA/HDMI	
<b>Frequency (H/V)</b>	40~90KHz / 50~75Hz	
<b>Power Supply</b>	Type: External brick Input (line) voltage: 100-240 VAC, 50-60 Hz Output voltage/current: 12 volts at 5 amps max	
<b>Environment</b>	Operating Temp.	-10~50°C
	Storage Temp.	-20~60°C
	Operating RH:	20%~80%

	Storage RH:	10%~90%
<b>MTBF</b>	≥ 30,000 Hours	
<b>LCD Back light Life(Typ.)</b>	≥ 30,000 Hours	
<b>Mount Interface</b>	1)VESA 75mm and 100mm 2)Mount bracket, horizontal or vertical (Standard mount brackets are supplied)	
<b>OSD Control</b>	Buttons	AUTO,+,POWER,-,MENU
	Function	Brightness, Contrast Ratio, Auto-adjust, Phase, Clock, H/V Location, Languages, Function, Reset
<b>Touch screen Type</b>	17" PCAP touch screen	
<b>Touch System Interface</b>	Having USB interface	
<b>Touch Response time</b>	USB	
<b>Agency Approval</b>	ETL, FCC, CE, RoHS	
<b>Regular Warranty</b>	1 year	

NOTE:The display SPEC. will change follow the relevant LCD panel brand and model

## Mechanical Dimensions



## Accessories

**Power Cable:** A North American power cable or an European power cable is included according to the end user's area.

---

**Power Supply Brick:**A power supply brick is included.

**Touch/Video/DVI Cables:** Detachable serial or USB touch cable, video cable and DVI cable are included

**L-brackets:** Four standard L-brackets are included.

## **Typical Application**

Gaming/Casino Systems  
Outdoor and indoor Kiosks  
Entertainment  
Transport and Ticketing  
Hospitality  
Banking  
Customized Solutions

## ***How to contact us !***

TOP ONE TECH LIMITED

Mobile Phone : (+86)13631610695

Tel: 0086-0755-21070641

Whatsapp/Wechat :+8613631610695

Email : sales@toponetech.cn

Skype : elsieyu-sz@hotmail.com

Office in China : Room 512 & 517, Taiyangneng Guigu Building Zhongxing Xiaoqu, Yunfeng Road No.3 Gaofeng shequ, Longhua District, Shenzhen, China

Facilities in China : No. 2,Guihua Jiayi Industrial district,Guanlan, Longhua,Shenzhen, China 51804