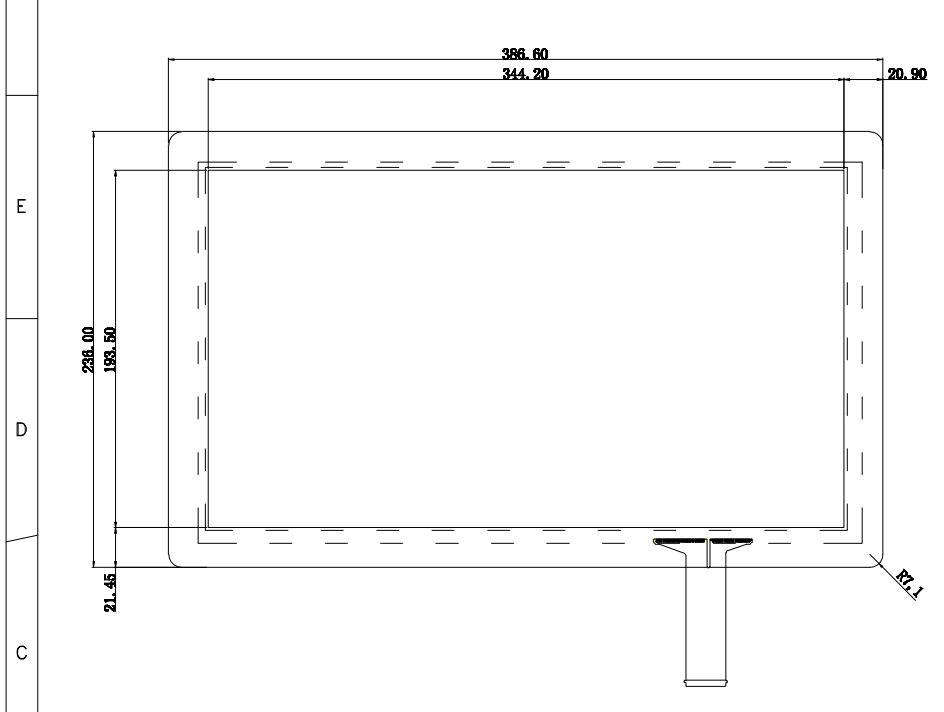
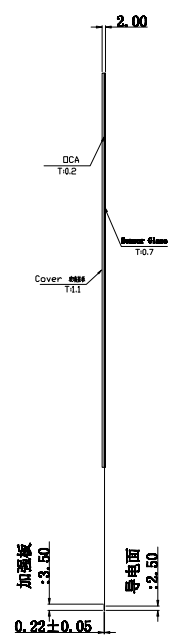


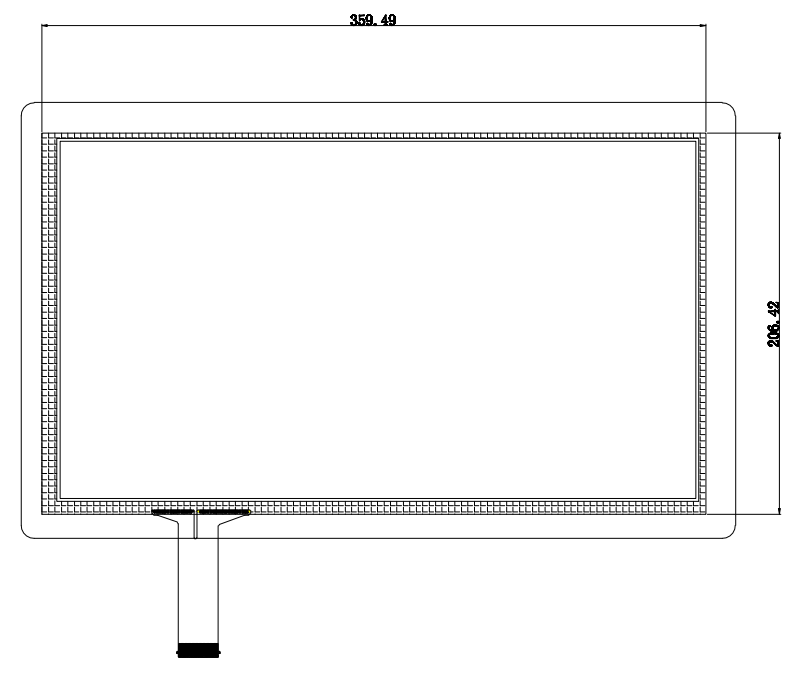
1	2	3	4	5	6	7	8	
客户确认:			序号	更改记录			记录人	日期
			A					
			B					



Front view
正视图



Side view
侧视图



Back view
背视图

- 技术参数:
- Cover G+ITO GLASS+Adhesive+FPC
ITO GLASS:0.7mm
Cover 玻璃:1.1mm
Adhesive:0.2mm
引线:FPC (PINCH=0.22mm)
总厚度: 2±0.1mm
SENSOR 工艺:丝印
 - 工作电压: USB 5V
 - 透光率: ≥87%
 - 表面硬度: 6H
 - 工作环境: -20℃~+70℃, ≤90%RH
 - 储存环境: -30℃~+80℃, ≤90%RH
 - 未注尺寸公差按±0.2mm

		TOP ONE TECH LIMITED	
DRAWN BY: Wei	Model: TOT156UCA009	VIEW:	
CHECKED BY: Wei	Part No: TTS156L1C002		
APPROVED BY: Chen	VERSION NUMBER: A	UNITS mm	
Standard tolerance:	DATE: 05/25/2018	SCALE 1:1	