



TopOneTech[®]



**BUREAU
VERITAS**

TOP ONE TECH LIMITED

15" LCD Open frame PCAP Touch Monitor

(Projected Capacitive Touch,1000 nits,IP65 Water-proof Type)

Model:TOT150UCA001

Part number:TOT150K1C201



Top One Tech's 15" compact open frame LCD touch monitors have a long-lasting product cycle because the enclosure is controlled by Top One Tech's specifications. Future panel improvements are therefore possible without external changes. The TOT150UCA001 integrate with the Top One Tech's PCAP technology touchscreen.

Features

- Waterproof capacitive sensor allows wet finger operation, provides high quality touch experience even in harsh environment.
- High Brightness, visible under direct sunlight. Anti-glare tempered cover glass.
- IP65
- vandal proof/anti-glare optional
- Pure glass touchscreen delivers superior image quality
- Various mounting options (Side Mount VESA Mount 75 mm & 100mm)
- Continues to work even with scratches
- Easy integration and low maintenance
- Excellent performance, accuracy and reliability with drift-free operation

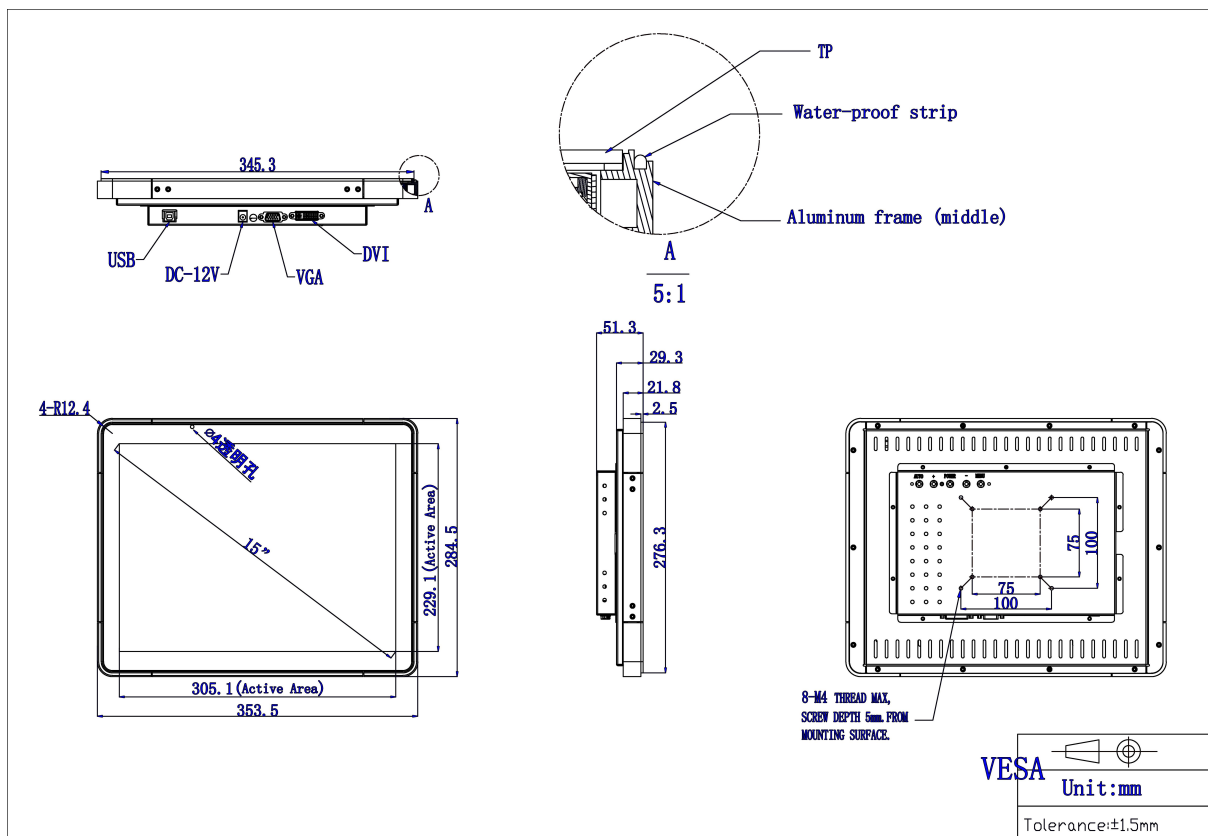
Specification

Model No.	TOT150UCA001	
Series	OT, Water-proof and Compact	
LCD Type	4 : 3 Ratio 15" TFT-LCD	
Active Area	305.1*229.1 (mm)	
Suggested Resolution	1024*768@ 60Hz	
Support Colors	16.7M	
Brightness(Typ.)	Pure LCD Panel	1000cd/m²
	With PCAP Glass Sensor	830cd/m ²
Response Time(Typ.)	25ms	
Viewing Angle (Typ.at CR>10)	Horizontal(left/right)	80°/80°
	Vertical(up/down)	70°/70°
Contrast Ratio(Typ.)	700:1	
Video Input	Dual Analog RGB and DVI video format	
Frequency (H/V)	40~90KHz / 50~75Hz	
Power Supply	Type: External brick Input (line) voltage: 100-240 VAC, 50-60 Hz Output voltage/current: 12 volts at 4 amps max	
Environment	Operating Temp.	-15~50°C
	Storage Temp.	-40~80°C
	Operating RH:	20%~80%

	Storage RH:	10%~90%
MTBF	30,000 Hours	
LCD Back light Life(Typ.)	30,000 Hours	
Mount Interface	1)VESA 75mm and 100mm 2)Mount bracket, horizontal or vertical (Standard mount brackets are supplied)	
OSD Control	Buttons	AUTO,+,POWER,-,MENU
	Function	Brightness, Contrast Ratio, Auto-adjust, Phase, Clock, H/V Location, Languages, Function, Reset
Touch screen Type	15" PCAP touch screen	
Touch System Interface	Having USB interface	
Touch Response time	USB	
Agency Approval	ETL, FCC, CE, RoHS	
Regular Warranty	1 year	

NOTE:The display SPEC. will change follow the relevant LCD panel brand and model

Mechanical Dimensions



Accessories

Power Cable: A North American power cable or an European power cable is included according to the end user's area.

Power Supply Brick: A power supply brick is included.

Touch/Video/DVI Cables: Detachable serial or USB touch cable, video cable and DVI cable are included

L-brackets: Four standard L-brackets are included.

Typical Application

Gaming/Casino Systems
Outdoor and indoor Kiosks
Entertainment
Transport and Ticketing
Hospitality
Banking
Customised Solutions

How to contact us !

TOP ONE TECH LIMITED
Mobile Phone : (+86)13631610695
Tel: 0086-0755-21070641
Whatsapp/Wechat :+8613631610695
Email : sales@toponetech.cn
Skype : elsieyu-sz@hotmail.com

Office in China : Room 1517, Taiyangneng Guigu Building Zhongxing Xiaoqu,
Yunfeng Road No.3 Gaofeng shequ, Longhua District, Shenzhen, China
Facilities in China : No. 2, Guihua Jiayi Industrial district, Guanlan, Longhua, Shenzhen,
China 518110