

---

# TOP ONE TECH LIMITED

## 10.4" LCD Open frame PCAP Monitor

**Model:TOT104UCA001**

**Part Number: TOT104K1C201**



Top One Tech's 10.4" open frame LCD monitors have a long-lasting product cycle because the enclosure is controlled by Top One Tech's specifications. Future panel improvements are therefore possible without external changes. The TOT104UCA001 integrate with the Top One Tech's PCAP technology screen.

## Features

- Patented IP65 Front with silicon seal
- Long lasting product cycle-enclosure controlled by Top One Tech specifications
- Future generation panels phased-in without external changes
- High quality panel with high brightness , high contrast ratio and broad viewing angle
- Anti-glare treatment (chemical etching)
- Strengthened cover glass
- 10-finger-multi touch capacitive touch
- LED backlight backed Panels in A+ quality
- Screwable connection for rugged environments

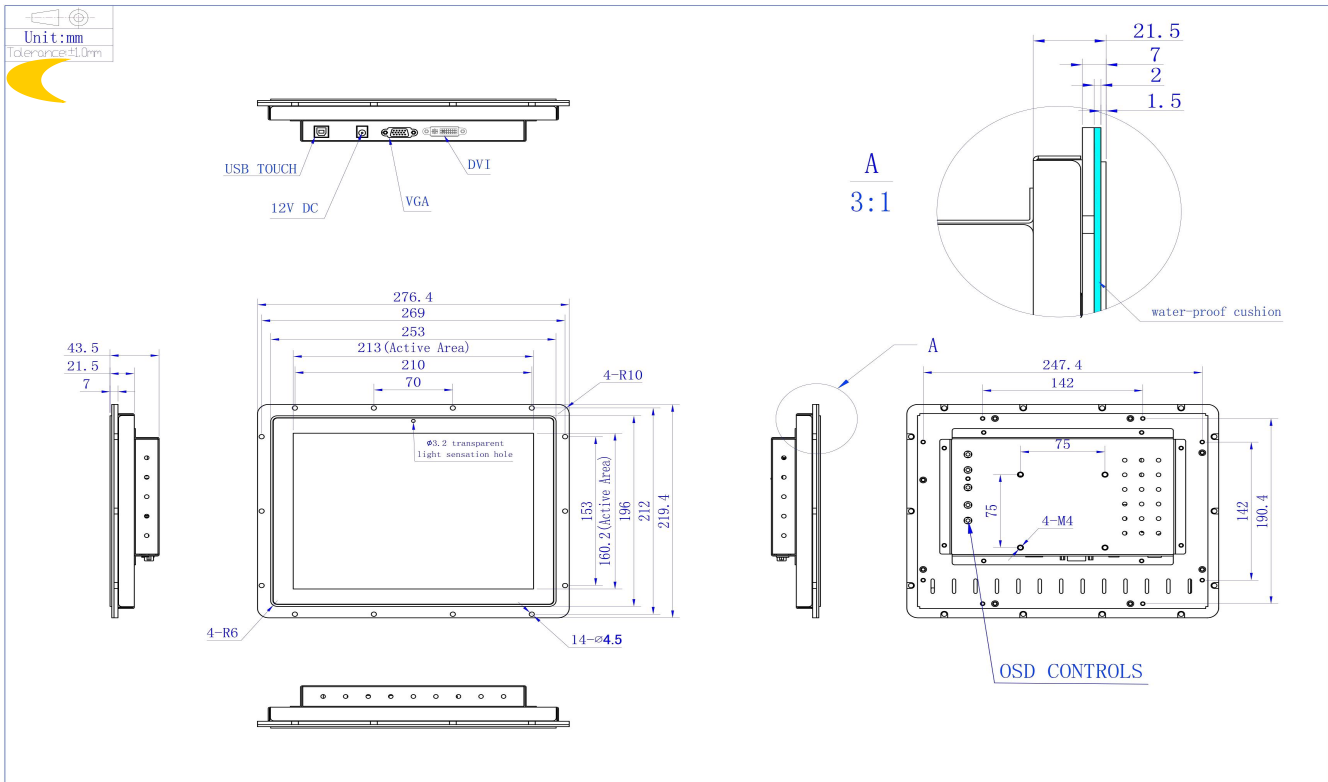
## Specification

<b>Model No.</b>	TOT104UCA001	
<b>Series</b>	OT	
<b>LCD Type</b>	4: 3Ratio TFT-LCD	
<b>Display Size</b>	10.4 " ( diagonal )	
<b>Active Area</b>	213 mm×160mm	
<b>Touch Monitor Dimension</b>	Width: 276.4mm Height:219.4mm Depth: 43.5mm	
<b>Suggested Resolution</b>	1024×768	
<b>Support Colors</b>	16.2M	
<b>Brightness(Typ.)</b>	Pure LCD panel	1500cd/m2
	With touch monitor	1240cd/m2
<b>Response Time(Typ.)</b>	16ms	
<b>Viewing Angle (Typ.at CR&gt;10)</b>	Horizontal(left/right)	80°/80°
	Vertical(up/down)	80°/80°
<b>Contrast Ratio(Typ.)</b>	1000:1	
<b>Video Input</b>	VGA\DVI	
<b>Frequency (H/V)</b>	30~80KHz / 60~75Hz	
<b>Power Supply</b>	Type: External brick Input (line) voltage: 100-240 VAC, 50-60 Hz Output voltage/current: 12 volts at 3.3 amps max	

<b>Environment</b>	Operating Temp.	-15~50°C
	Storage Temp.	-20~60°C
	Operating RH:	-20%~60%
	Storage RH:	10%~90%
<b>MTBF</b>	30,000 Hours	
<b>LCD Back light Life(Typ.)</b>	30,000 Hours	
<b>Backlight Unit</b>	LED	
<b>Weight (N.W/G.W)</b>	2.2Kg (1pcs)/6.4Kg (2pcs in one package)	
<b>Out package Dimensions</b>	350*221*298(mm)	
<b>Power Consumption</b> <b>Standby power consumption</b>	18W operating power	
	1.5W	
<b>OSD Control</b>	Buttons	AUTO,RIGHT,LEFT,MENU,POWER
	Function	Brightness, Contrast Ratio, Auto-adjust, Phase, Clock, H/V Location, Languages, Function, Reset
<b>Touch screen Type</b>	10.4"projected capacitive touchscreen	
<b>Touch System Interface</b>	USB	
<b>Certificates</b>	CCC.FCC.CE.ETL,RoHS	

**NOTE:**The display SPEC. will change follow the relevant LCD panel brand and model

## Mechanical Dimensions



## Accessories

**Power Cable:** A North American power cable or an European power cable is included according to the end user's area.

**Power Supply Brick:** A power supply brick is included.

**Touch/Video/DVI Cables:** Detachable serial or USB touch cable, video cable or DVI or HDMI cable are included

**L-brackets:** Four standard L-brackets are included (optional by different size).

## Typical Application

Gaming/Casino Systems  
Outdoor and indoor Kiosks  
Entertainment  
Transport and Ticketing  
Hospitality  
Banking  
Customised Solutions

## How to contact us

TOP ONE TECH LIMITED

Mobile Phone : (+86)13631610695

Tel: 0086-0755-21070641

Whatsapp/Wechat :+8613631610695

Email : sales@toponetech.cn

Skype : elsieyu-sz@hotmail.com

Office in China : Room 1517, Taiyangneng Guigu Building Zhongxing Xiaoqu, Yunfeng Road No.3 Gaofeng shequ, Longhua District, Shenzhen, China

Facilities in China : No. 2, Guihua Jiayi Industrial district, Guanlan, Longhua, Shenzhen, China 51804