
TOP ONE TECH LIMITED
10.1" LCD Open frame PCAP Touch PC
(Raspberry 3B+ model)

Model: TOT101UPC006

PN:TTR101L1C001



Top One Tech's 10.1" water-pooof IP65 open frame LCD touch PC have a long-lasting product cycle because the enclosure is controlled by Top One Tech's specifications. Future panel improvements are therefore possible without external changes. The TOT101UPC006 integrate with the Top One Tech's PCAP technology touchscreen.

Features

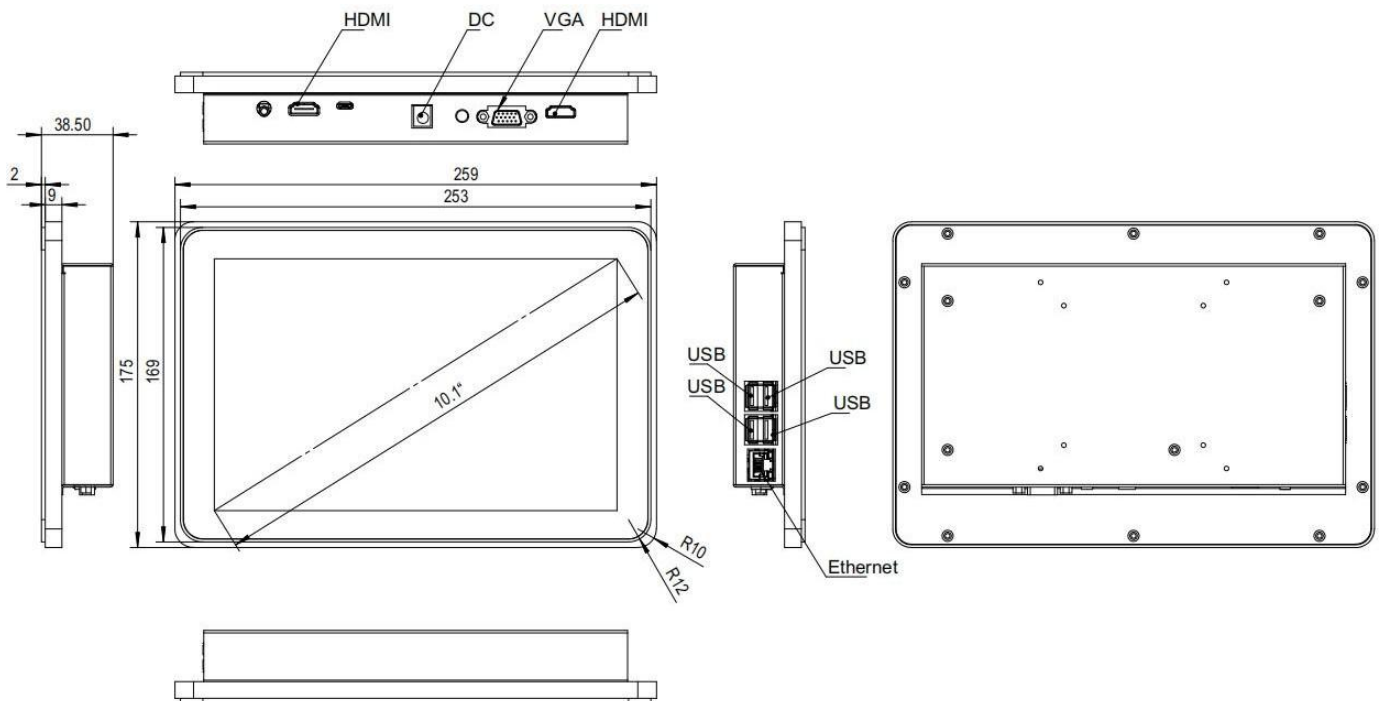
- Edge-to-edge glass IP65 rated
- 10-finger multitouch touch screen Panel
- Broad-com BCM2837B0/1.4GHz 64-bit Quad-core CPU, Broad-com Video-core IV @400MHz GPU
- 1GB RAM
- Micro SD is not included
- 64Bit support, Rapberry pi support
- VESA 75 bracket for mounting, metal stand included
- Customization available uponrequest

| Product name | 10.1'' PCAP Touch PC | Rapberry pi PC System | |
|------------------------------------|----------------------|-----------------------|--|
| Modle numer | TOT101UPC006 | CPU | Broadcom BCM2837B0/1.4GHz 64-bit Quad-core |
| Anti-glare LCD Panel | | RAM | 1GB LPDDR2 SDRAM |
| IP rated front panel | IP65 | Storage expansion | Micro SD format for loading operating system and data storage |
| Screen diagonal (Inch/mm): | 10.1 | USB Port | 4*USB2.0 |
| Display active screen size: | 217.00*136.00MM | Ethenet port | 300Mbps |
| Aspect ratio: | 16:9 | I/O | 1*HDMI /MIPI DSI display/MIPI CSI camera/4 pole stereo output and composite video port |
| Physical resolution: | 1024*600 | GPIO | Extended 40-pin GPIO header |
| Colours displayed: | 16.7M | Wifi/3G | Support |
| Brightness (cd/m2): | 350 | System | Rapberry pi 3 B+ |
| Contrast: | 800:1 | Touch Panel | |
| Typical reaction time Tr/ Tf : | 10/15 (ms) | Touch Technology | Projected Capacitive 10-point Multitouc |
| Visual Angle horizontal/vertical : | 150/145 | Touch Connector | USB |

| | | | |
|---|----------------|--------------------------|---|
| Backlight / Backlight Lifetime (hours): | LED / 30,000 | Touch Panel Drivers | Windows; Linux; Mac; Android, Rapberry pi |
| Operation / Mechanical | | Touch Life (Contacts) | Unlimited |
| Operating Temperature | -10 ~ +65 (°C) | Surface Hardness | 7H |
| Humidity Range (RH) | 10%-90% | Power | |
| Net weight (kg) | 1 | Power Indicator | Green LED |
| Housing material | Aluminium | Power Supply | 5V/2.5A DC via micro USB connector 5V DC via GPIO header Power over Ethernet(Poe)-enabled (requiresseparate PoE HAT) |
| Housing (mm) LxWxH | 259*175*43MM | Working Power (V) | 12 |
| Mounting | VESA 75 | Power Consumption (W) | 11 |
| | | Stand-By Consumption (W) | <1 |

NOTE:The display SPEC. will change follow the relevant LCD panel brand and model

Mechanical Dimensions



Accessories

Power Cable: A North American power cable or an European power cable is included according to the end user's area.

Power Supply Brick: A power supply brick is included.

Touch/Video/DVI Cables: Detachable serial or USB touch cable, video cable and HDMI cable are included

L-brackets: Four standard L-brackets are included(Optional)

Typical Application

Gaming/Casino Systems
Outdoor and indoor
Kiosks Entertainment
Transport and
Ticketing Hospitality
Banking
Customization Solutions

How to contact us

TOP ONE TECH LIMITED

Mobile Phone : (+86)13631610695

Tel: 0086-0755-21101641

Whats app/We chat :+8613631610695

Email : sales@toponetech.cn

Skype : elsieyu-sz@hotmail.com

Office in China : Room 1517, Taiyangneng Guigu Building Zhongxing Xiaoqu, Yunfeng Road No.3

Gaofeng shequ, Longhua District, Shenzhen, China

Facilities in China : No. 2, Guihua Jiayi Industrial district, Guanlan, Longhua, Shenzhen, China 518110