
Top One Tech LIMITED

10.1" All-In-One PC

(PCAP touch screen and water-proof Type)

Model: TOT101UPC006

Part number:TTW101L1C001



Top One Tech's 10.1" water-proof IP65 open frame LCD touch PC have a long-lasting product cycle because the enclosure is controlled by Top One Tech's specifications. Future panel improvements are therefore possible without external changes. The TOT101UPC006 integrate with the Top One Tech's PCAP technology touchscreen.

Features

- Bezel seal standard: Zero-bezel and IP65
- Long lasting product cycle-enclosure controlled by Top One Tech specifications
- Future generation panels phased-in without external changes
- High quality panel with high brightness,high contrast ratio and broad viewing angle
- Multiple mounting options including VESA mount, horizontal orvertical bracket-mount
- Compact and slim profile for easy integration from side,top and bottom
- Top One Tech's PCAP technology on pure glass for the ultimate in image quality
- Finger or gloved hand operation
- Dual USB/Serial touch interface port
- Dual VGA/DVI input video format
- Worldwide agency approvals

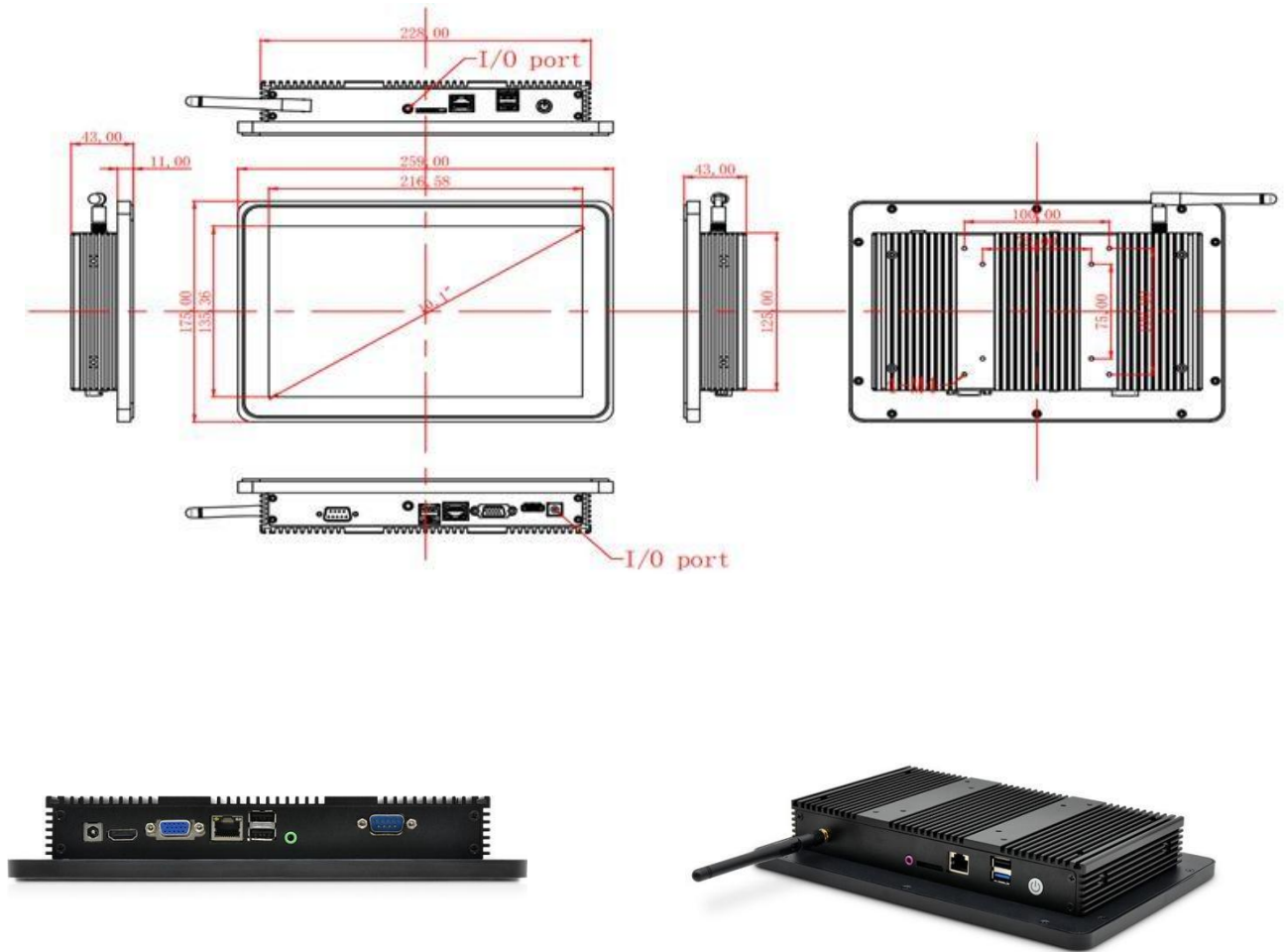
Specification

Product name	10.1" PCAP Touch PC		
Modle numer	TOT101UPC006		
Anti-glare LCD Panel		PC System	
IP rated front panel	IP65	CPU	J1900
Screen diagonal (Inch):	10.1"	Memory	4GB(up to 8GB)
Display active screen size:	217*136(mm)	Storage	64GB(up to 512GB)
Aspect ratio:	16:10	USB Port	3*USB 2.0/1*USB3.0
Physical resolution:	1280*800	RS232	1*RS232
Colours displayed:	16.7M	I/O	RJ45
Brightness (cd/m2):	350	GPIO	Support4 chanel GPIO
Contrast:	800:1	Wifi/3G	Support
Typical reaction time Tr/ Tf :	5/15 (ms)	System	Windows 7/Windows 10
Visual Angle horizontal/vertical :	170/170	Touch Panel	
Backlight / Backlight Lifetime (hours):	LED / 30,000	Touch Technology	Projected Capacitive 10-point Multitouch
Operation / Mechanical		Touch Connector	I2C
Operating Temperature	-10 ~ +65 (°C)	Touch Panel Drivers	Windows; Linux; Mac; Android
Humidity Range (RH)	10%-90%	Touch Life (Contacts)	Unlimited
Net weight (kg)	2	Surface Hardness	7H
Housing material	Aluminium	Power	
Housing (cm) LxW	259*175	Power Indicator	Green LED
Mounting	VESA 75	Power Supply	100-240V ACDC active switch- ing; 12V DC-Out
/		Working Power (V)	12
/		Power Consumption (W)	11

/	Stand-By Consumption (W)	<1
---	-----------------------------	----

NOTE: The display SPEC. will change follow the relevant LCD panel brand and model

Mechanical Dimensions



Accessories

Power Cable: A North American power cable or an European power cable is included according to the end user's area.

Power Supply Brick: A power supply brick is included.

Touch/Video/DVI Cables: Detachable serial or USB touch cable, video cable and DVI cable are included

L-brackets: Four standard L-brackets are included(optional by different size).



Typical Application

Gaming/Casino Systems Outdoor
and indoor Kiosks Entertainment
Transport and Ticketing
Hospitality
Banking
Customized Solutions



How to contact us

TOP ONE TECH LIMITED

Mobile Phone : (+86)13631610695

Tel: 0086-0755-21070641

Whatsapp/Wechat :+8613631610695

Email : sales@toponetech.cn

Skype : elsieyu-sz@hotmail.com

Office in China : Room 512 & 517, Taiyangneng Guigu Building Zhongxing Xiaoqu,Yunfeng Road No.3
Gaofeng shequ, Longhua District, Shenzhen, China

Facilities in China : No. 2,Guihua Jiayi Industrial district,Guanlan, Longhua,Shenzhen, China 51804