

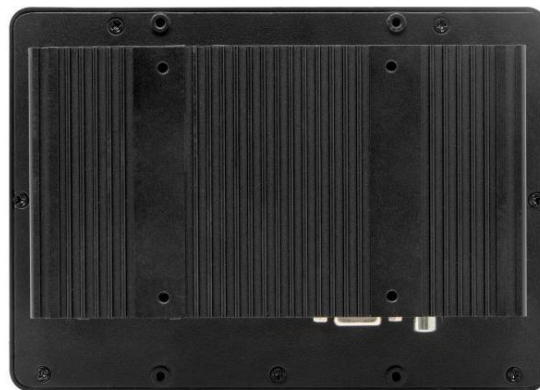
**TOP ONE TECH LIMITED**

**7" LCD Open frame PCAP Touch Monitor**

**(The IP65 Water-proof Type)**

**Model: TOT070UCA006**

Part number: TOT070L1C001



Top One Tech's 7" open frame LCD touch monitors have a long-lasting product cycle because the enclosure is controlled by Top One Tech's specifications. Future panel improvements are therefore possible without external changes. The TOT070UCA006 integrate with the Top One Tech's PCT technology touchscreen.

## Features

- Bezel seal standard: NEMA3 and IEC IP65
- Long lasting product cycle-enclosure controlled by Top One Tech specifications
- Future generation panels phased-in without external changes
- High quality panel with high brightness,high contrast ratio and broad viewing angle
- Multiple mounting options including VESA mount, horizontal or vertical bracket-mount
- Compact and slim profile for easy integration from side,top and bottom
- Top One Tech's PCT technology on pure glass for the ultimate in image quality
- Finger or gloved hand operation
- Dual USB/Serial touch interface port
- Dual VGA/DVI /HDMI input video format
- Worldwide agency approvals

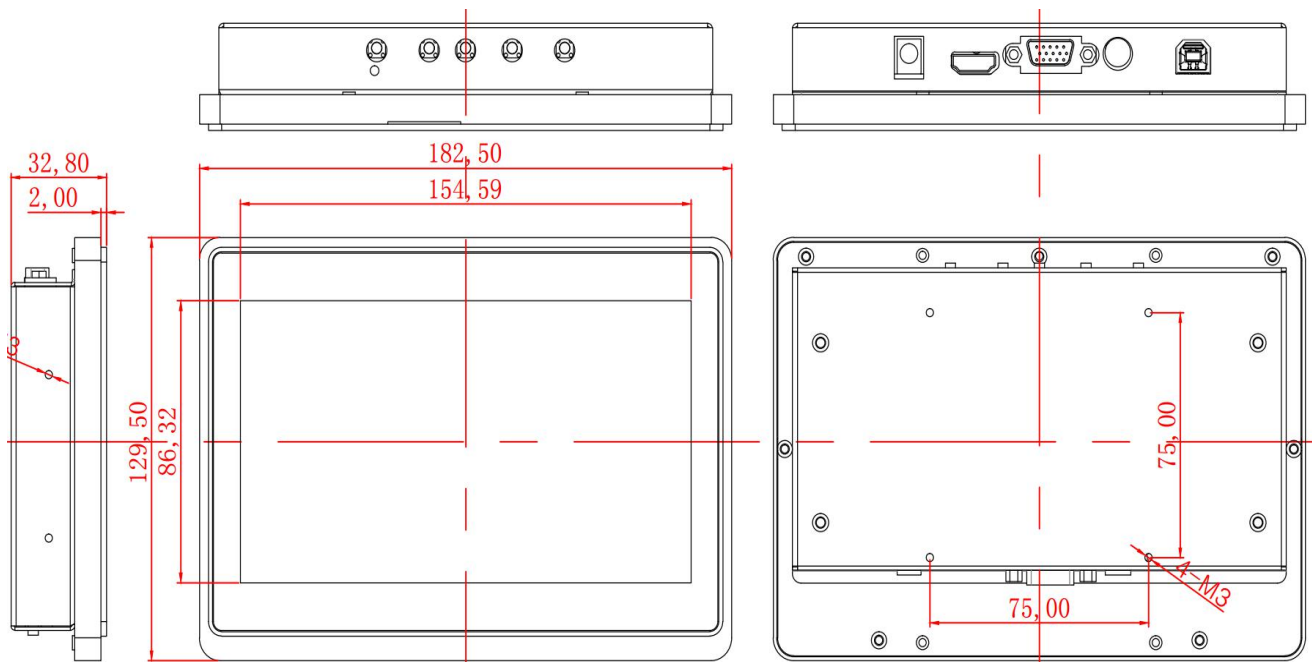
## Specification

<b>Model</b>	TOT070UCA006	
<b>Type</b>	Open Frame Touch Monitor	
<b>LCD Type</b>	7 " Active matrix TFT-LED	
<b>Active Area</b>	154.59*86.32(mm)	
<b>Display Resolution</b>	1024*600	
<b>Supported Colors</b>	16.7M Colors	
<b>Brightness (typical)</b>	500cd/m <sup>2</sup>	
<b>Response Time (typical)</b>	25ms(T <sub>R</sub> +T <sub>F</sub> )	
<b>Perspective (Typ.at CR &gt; 10) )</b>	Horizontal (Left / Right)	75°/75°
	Vertical (Up / Down)	72.5°/72.5°
<b>Contrast Ratio (typical)</b>	700:1	
<b>Connector</b>	VGA/HDMI/audio	
<b>Frequency (H/V)</b>	30~80KHz / 60Hz	
<b>Power Supply</b>	Type: external power adapter	
	Input voltage: 100-240 VAC, 50-60 Hz	

	Output voltage / current: 12 volts at 1.5 amps max	
<b>Environmental</b>	Operating temperature	-20~70°C
	Storage temperature	-30~80°C
	Working humidity	5%~90%RH
	Storage humidity	5%~90%RH
<b>MTBF</b>	50,000 hours	
<b>LED Backlight Life (typical)</b>	30,000 hours	
<b>Power Consumption</b>	8W Max	
<b>Mounting</b>	Mounting Bracket, horizontal or vertical	
<b>OSD Control</b>	Button	POWER,AUTO,+ , -,MENU
	Functions	Brightness, contrast, auto-correction, phase, clock, horizontal and vertical position, language, function setting, reset
<b>Touch screen type</b>	7" 10 points capacitive screen	
<b>Authenticate</b>	CCC, CE, RoHS, FCC	
<b>Warranty</b>	1 year	

NOTE:The display SPEC. will change follow the relevant LCD panel brand and model

## Mechanical Dimensions



## Accessories

**Power Cable:** A North American power cable or an European power cable is included according to the end user's area.

**Power Supply Brick:** A power supply brick is included.

**Touch/Video/DVI Cables:** Detachable serial or USB touch cable, video cable or DVI or HDMI cable are included

**L-brackets:** Four standard L-brackets are included.

## Typical Application

Gaming/Casino Systems  
Outdoor and indoor Kiosks  
Entertainment  
Transport and Ticketing  
Hospitality  
Banking  
Customized Solutions

## How to contact us

TOP ONE TECH LIMITED

Mobile Phone : (+86)13631610695

Tel: 0086-0755-21070641

Whatsapp/Wechat :+8613631610695

Email : sales@toponetech.cn

Skype : elsieyu-sz@hotmail.com

Office in China : Room 1517, Taiyangneng Guigu Building Zhongxing Xiaoqu, Yunfeng Road No.3 Gaofeng shequ, Longhua District, Shenzhen, China

Facilities in China : No. 2, Guihua Jiayi Industrial district, Guanlan, Longhua, Shenzhen, China 518109